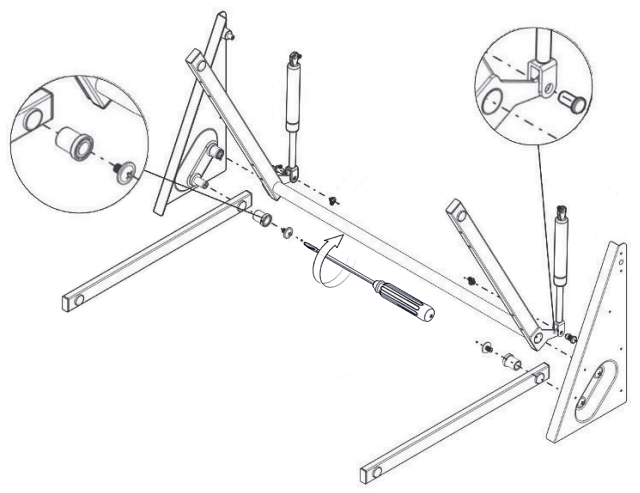
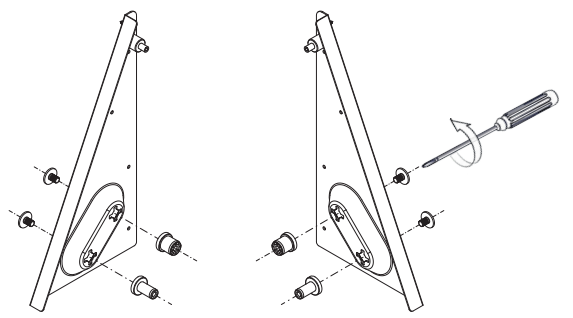
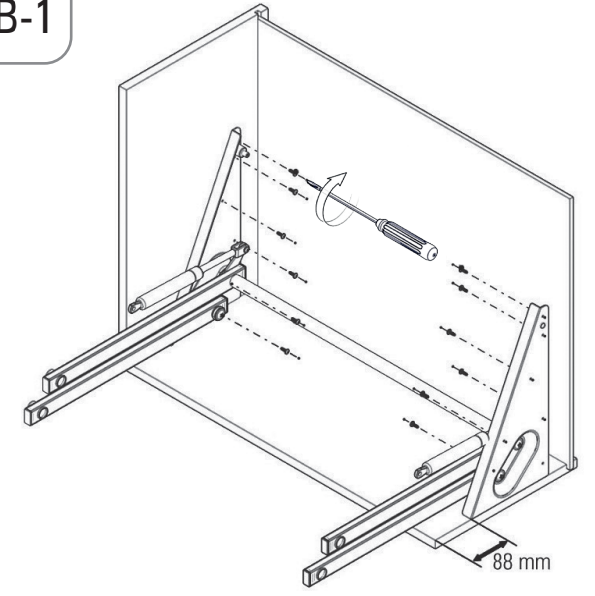


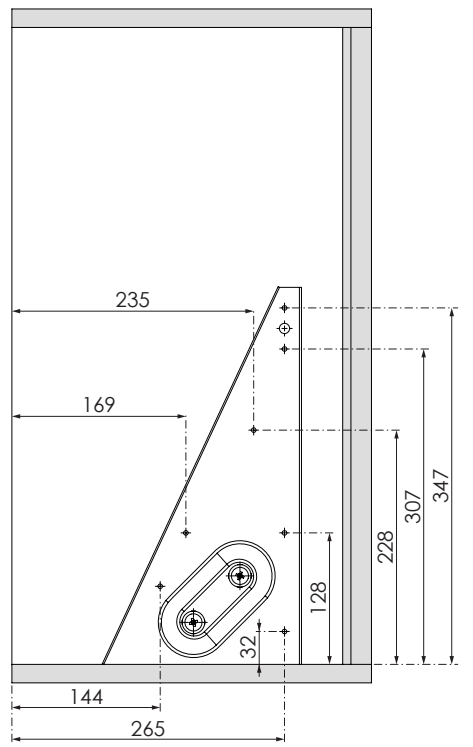
A-1



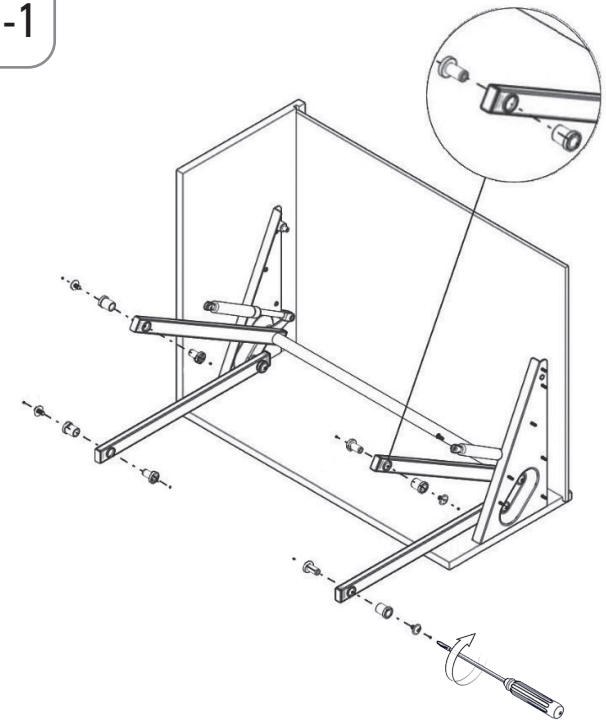
B-1



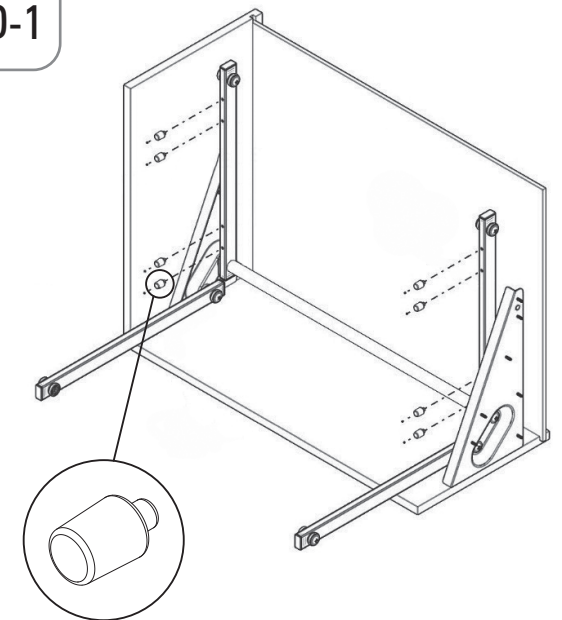
B-2



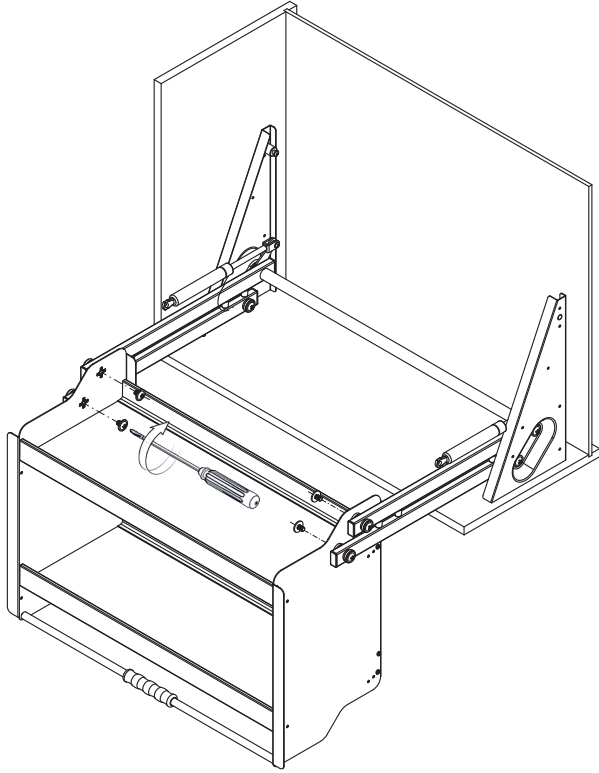
C-1



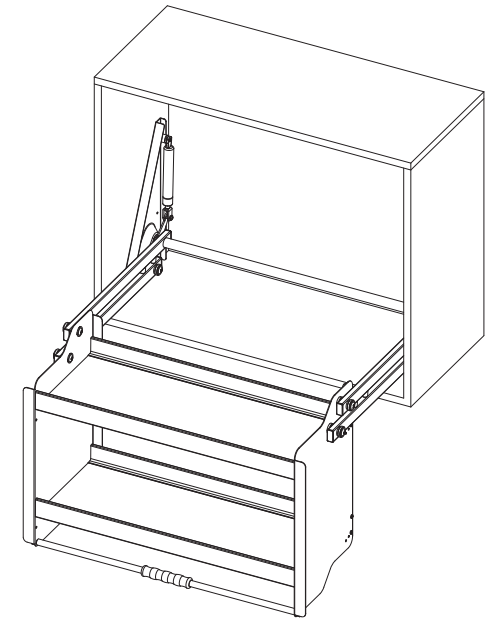
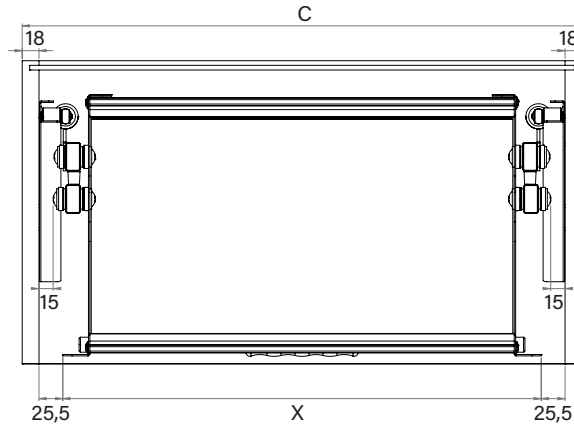
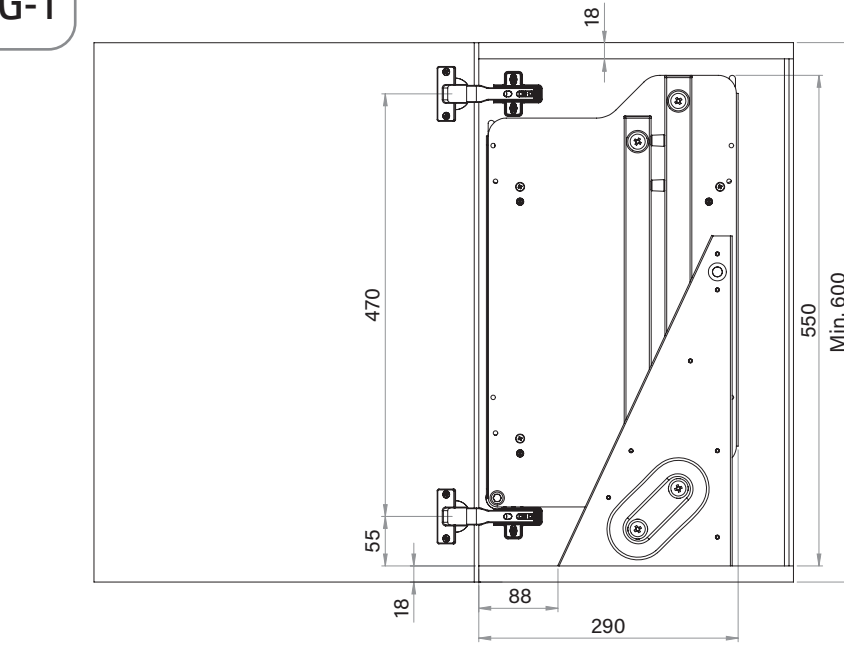
D-1



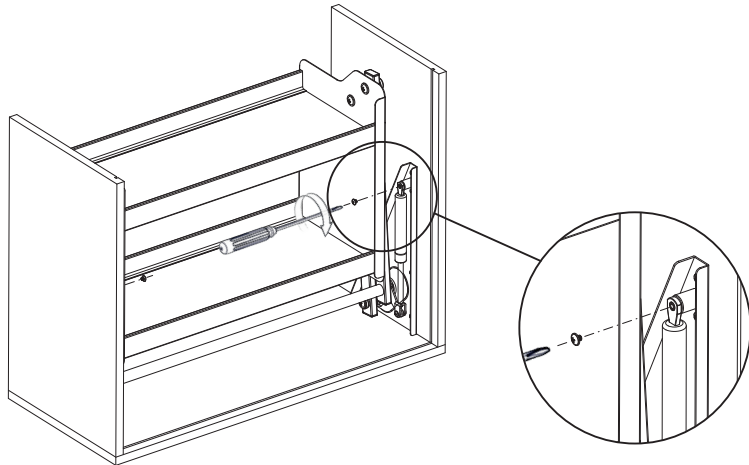
E-1



G-1



F-1



Product Code	C (mm)	X (mm)
S-5191-	600	513
S-5192-	800	713
S-5193-	900	813
S-5194-	700	613